



STN-100

VALV. BOLA AISI-316 CON BRIDAS / AISI-316 FLANGED BALL VALVE



1

CARACTERISTICAS TECNICAS / KEY FEATURES

- Conexiones: Bridadas según DIN EN 1092-1 (PN40 → DN15 a DN50 / PN16 → DN65 a DN150)
 - Cuerpo: Acero inoxidable AISI316 1.4408 (CF8M)
 - Asientos: PTFE puro
 - Tórica del eje: FKM (vitón)
 - Juntas del eje: PTFE puro
 - Base ISO5211 para montaje directo de cabezal neumático / eléctrico
 - Sistema de bloqueo de seguridad integrado en la maneta
 - Presión de trabajo máxima: 40 bar / 16 bar
 - Temperatura de trabajo: -30°C...+180°C
-
- *End connections: Flanged DIN EN 1092-1 (PN40 → DN15 a DN50 / PN16 → DN65 a DN150)*
 - *Body: Stainless Steel AISI316 1.4408 (CF8M)*
 - *Body seats: Pure PTFE*
 - *Stem O'ring: FKM (viton)*
 - *Stem gaskets: Pure PTFE*
 - *ISO5211 direct connection for pneumatic / electric actuators mounting*
 - *Integrated security locking system in handle*
 - *Max. working pressure: 40 bar / 16 bar*
 - *Max. working temperature: -30°C...+180°C*

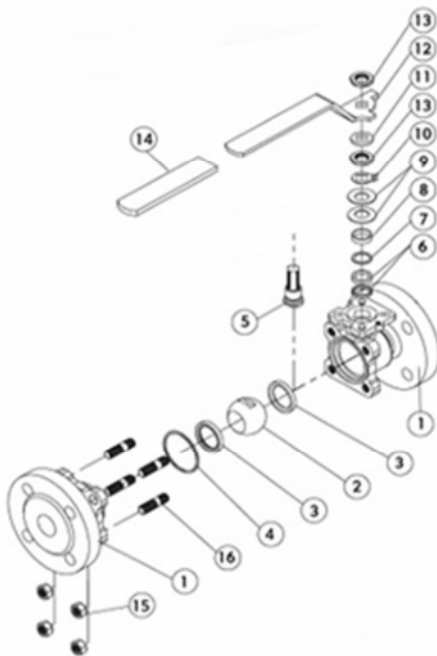
STN-100





MATERIALES / MATERIALS

**Piezas de recambio disponibles / Available spare parts*



| ITEM | DESCRIPTION | MATERIAL | QUANTITY |
|------|----------------------------------|----------------------------|----------|
| 1 | Cuerpo válvula / Valve body | A316 1.4408 / SS316 1.4408 | 2 |
| 2* | Bola / Ball | A316 1.4408 / SS316 1.4408 | 1 |
| 3* | Asiento / Seat gasket | 100% PTFE / 100% PTFE | 2 |
| 4* | Junta cuerpo / Body Seal | 100% PTFE / 100% PTFE | 2 |
| 5 | Eje / Stem | A316 1.4408 / SS316 1.4408 | 1 |
| 6 | Junta / Gasket | 100% PTFE / 100% PTFE | 2 |
| 7 | Junta eje / Stem gasket | FKM (viton) / FKM (viton) | 1 |
| 8 | Empaquetadura / Stem packing | 100% PTFE / 100% PTFE | 1 |
| 9 | Arandela del disco / Disc washer | A304 1.4301 / SS304 1.4301 | 2 |
| 10 | Tope de arandela / Stop washer | A304 1.4301 / SS304 1.4301 | 1 |
| 11 | Arandela tuerca / Nut washer | A304 1.4301 / SS304 1.4301 | 1 |
| 12 | Maneta / Handle | A304 1.4301 / SS304 1.4301 | 1 |
| 13 | Tuerca eje / Stem nut | A304 1.4301 / SS304 1.4301 | 2 |
| 14 | Funda maneta / Handle cover | Plástico azul / Blue vinyl | 1 |
| 15 | Tuerca tornillo / Nut bolt | A304 1.4301 / SS304 1.4301 | 4-8 |
| 16 | Tomillo / Bolt | A304 1.4301 / SS304 1.4301 | 4-8 |

2

Valores de Kv / Kv values

Kv = Cantidad de metros cúbicos por hora que circulará el agua a través de la válvula generando una pérdida de carga de 1 bar.

Kv = Flow rate of water in cubic meter per hour that will generate a pressure drop of 1 bar throw the ball valve (m3/h)

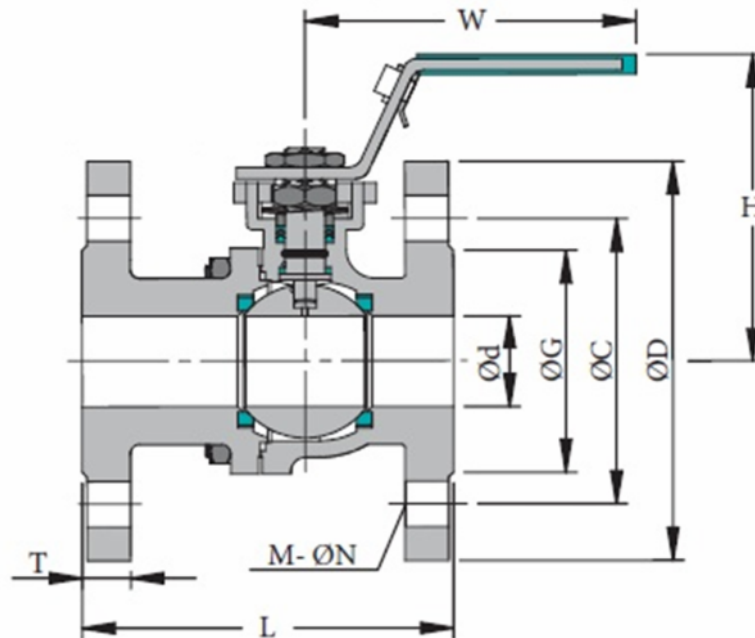
| DN15 | DN20 | DN25 | DN32 | DN40 | DN50 | DN65 | DN80 | DN100 | DN125 | DN150 |
|------|------|------|------|------|------|------|------|-------|-------|-------|
| 19 | 40 | 65 | 110 | 180 | 365 | 495 | 970 | 1620 | 2530 | 4050 |

STN-100





DIMENSIONES GENERALES / GENERAL DIMENSIONS



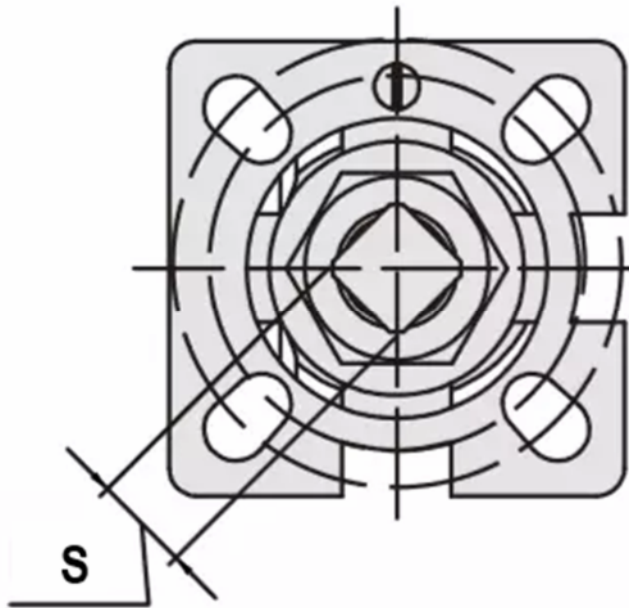
3

Dimensiones en (mm.) / *Dimensions in (mm.)*

| Código / Code | Medida / Size | Ø d | Ø G | Ø C | Ø D | T | L | H | W | M - ØN |
|---------------|---------------|-----|-----|-----|-----|----|-----|-----|-----|--------|
| 100015 | DN15 | 15 | 45 | 65 | 95 | 16 | 115 | 50 | 125 | 4X14 |
| 100020 | DN20 | 20 | 58 | 75 | 105 | 18 | 120 | 55 | 125 | 4X14 |
| 100025 | DN25 | 25 | 68 | 85 | 115 | 18 | 125 | 58 | 155 | 4X14 |
| 100032 | DN32 | 32 | 78 | 100 | 140 | 18 | 130 | 42 | 155 | 4X18 |
| 100040 | DN40 | 40 | 88 | 110 | 150 | 18 | 140 | 76 | 185 | 4X18 |
| 100050 | DN50 | 50 | 102 | 125 | 165 | 20 | 150 | 85 | 185 | 4X18 |
| 100065 | DN65 | 65 | 122 | 145 | 185 | 18 | 170 | 95 | 260 | 4X18 |
| 100080 | DN80 | 80 | 138 | 160 | 200 | 20 | 180 | 115 | 260 | 8X18 |
| 100100 | DN100 | 100 | 158 | 180 | 220 | 20 | 190 | 140 | 300 | 8X18 |
| 100125 | DN125 | 125 | 188 | 210 | 250 | 22 | 325 | 177 | 500 | 8X18 |
| 100150 | DN150 | 150 | 212 | 240 | 285 | 22 | 350 | 194 | 600 | 8X22 |

STN-100



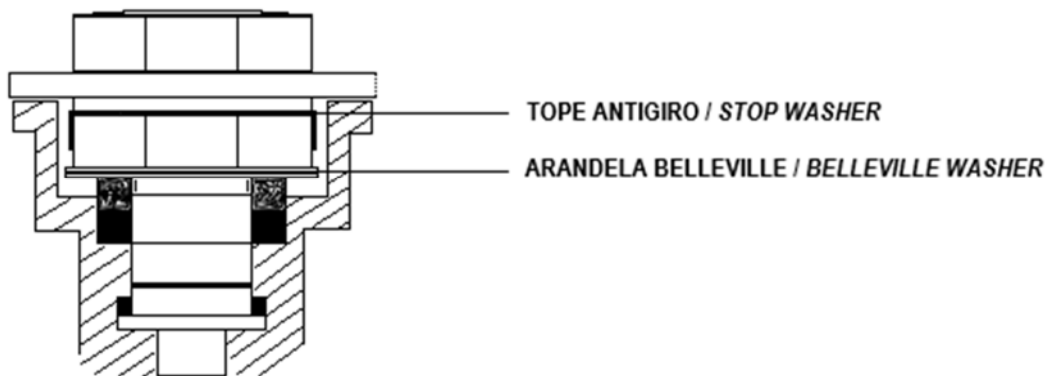


Dimensiones en (mm.) / Dimensions in (mm).

| DN | S | ISO-5211 |
|-------|---------|-----------|
| DN15 | 9 x 9 | F03 / F04 |
| DN20 | 9 x 9 | F03 / F04 |
| DN25 | 11 x 11 | F04 / F05 |
| DN32 | 11 x 11 | F04 / F05 |
| DN40 | 14 x 14 | F05 / F07 |
| DN50 | 14 x 14 | F05 / F07 |
| DN65 | 17 x 17 | F07 / F10 |
| DN80 | 17 x 17 | F07 / F10 |
| DN100 | 19 x 19 | F07 / F10 |
| DN125 | 27 x 27 | F10 / F12 |
| DN150 | 27 x 27 | F10 / F12 |

4

DETALLE EJE DE LA VALVULA / STEM VALVE DRAWING



Antigiro / Lock washer: Previene el desajuste de la tuerca del eje /
Prevents stem nut unthreading

Arandela Belleville / Belleville washer: Asegura un cierre firme en condiciones variables /
Ensures a tight seal even in variable conditions