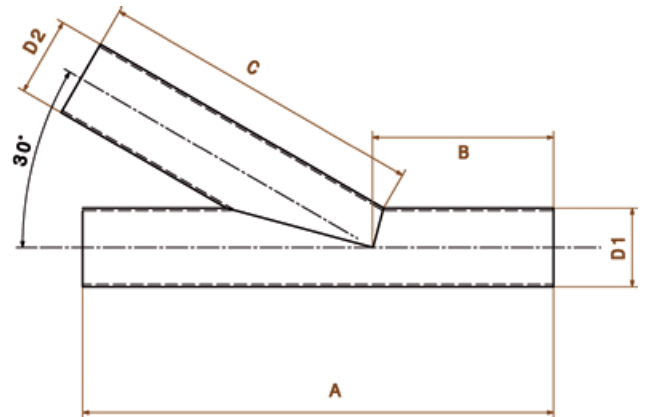


# Stainless steel branch pipes 30°

## laser-cut and welded

■ material no. **AISI 304 / 304L**  
at request also in aluminium

- forming gas welded – price at request
- custom-made products possible at short notice



diameter	article number	A	B	C
38.0 x 1.5 mm	803813002	300 mm	106 mm	210 mm
40.0 x 1.5 mm	804013001	300 mm	110 mm	210 mm
40.0 x 2.0 mm	804013002	300 mm	105 mm	209 mm
45.0 x 1.5 mm	804513001	300 mm	104 mm	210 mm
50.0 x 1.5 mm	805013003	300 mm	100 mm	210 mm
50.0 x 2.0 mm	805013002	300 mm	100 mm	204 mm
54.0 x 2.0 mm	805413001	300 mm	100 mm	208 mm
60.3 x 2.0 mm	806013001	350 mm	106 mm	210 mm
63.5 x 2.0 mm	806313001	400 mm	145 mm	260.5 mm
65.0 x 2.0 mm	806513001	400 mm	145 mm	260 mm
65.0 x 1.5 mm	806513002	400 mm	145 mm	260 mm
70.0 x 2.0 mm	807013001	450 mm	140 mm	280 mm
76.1 x 2.0 mm	807613001	410 mm	140 mm	260 mm
80.0 x 2.0 mm	808013001	500 mm	145 mm	348 mm
84.0 x 2.0 mm	808413001	420 mm	120 mm	299.75 mm
85.0 x 2.0 mm	808513001	570 mm	200 mm	345 mm
88.9 x 2.0 mm	808813001	480 mm	130 mm	338 mm
100.0 x 1.5 mm	810013001	550 mm	185 mm	350.6 mm
101.6 x 2.0 mm	810113001	550 mm	185 mm	350 mm
104.0 x 2.0 mm	810413001	550 mm	200 mm	366 mm
114.3 x 2.0 mm	811413001	550 mm	130 mm	404.7 mm
129.0 x 2.0 mm	812913001	700 mm	223 mm	450 mm
139.7 x 2.0 mm	813913001	650 mm	160 mm	481.3 mm
154.0 x 2.0 mm	815413001	650 mm	160 mm	479.4 mm