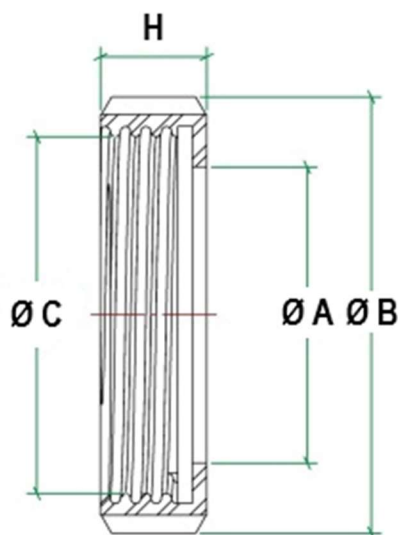




**TUERCA DIN-11851 AISI-304 / DIN-11851 AISI-304 ROUND NUT**



Dimensiones en (mm.) / Dimensions in (mm.)

| DN    | ØA  | ØB  | ØC        | H  |
|-------|-----|-----|-----------|----|
| DN15  | 25  | 44  | RD34X1/8  | 18 |
| DN20  | 32  | 54  | RD44X1/6  | 20 |
| DN25  | 36  | 63  | RD52X1/6  | 21 |
| DN32  | 42  | 70  | RD58X1/6  | 21 |
| DN40  | 49  | 78  | RD65X1/6  | 21 |
| DN50  | 62  | 92  | RD78X1/6  | 22 |
| DN65  | 80  | 112 | RD95X1/6  | 25 |
| DN80  | 94  | 127 | RD110X1/4 | 29 |
| DN100 | 115 | 148 | RD130X1/4 | 31 |