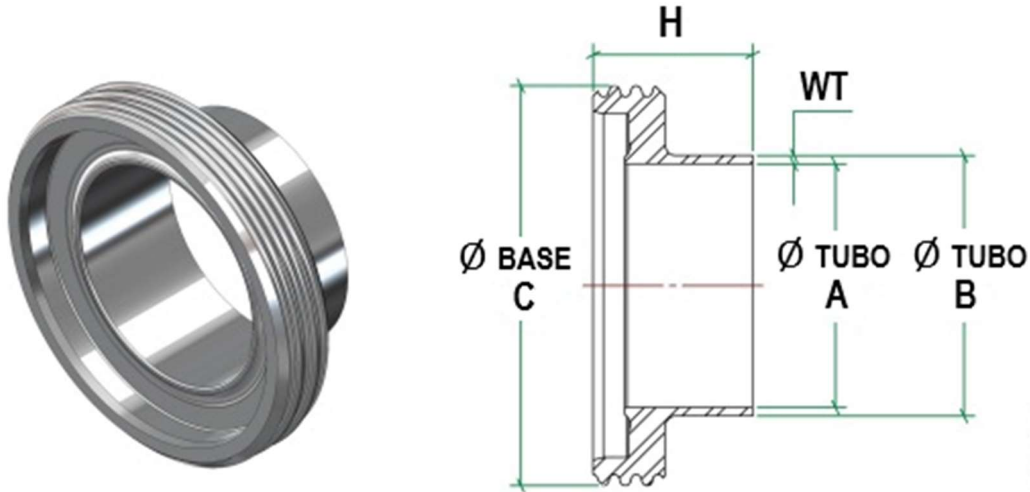




MACHO SOLDAR DIN11851 AISI-316 / DIN11851 AISI-316 WELDING MALE



Dimensiones en (mm.) / Dimensions in (mm.)

DN	ØA	ØB	ØC	H	WT
DN15	15/16	18/19	RD34X1/8	19	1,65
DN20	19/20	22/23	RD44X1/6	19	1,65
DN25	25/26	28/29	RD52X1/6	20	1,65
DN32	31/32	34/35	RD58X1/6	20	1,65
DN40	37/38	40/41	RD65X1/6	21	1,65
DN50	49/50	52/53	RD78X1/6	21	1,65
DN65	66	70	RD95X1/6	23	1,65
DN80	81	85	RD110X1/4	26	1,65
DN100	100	104	RD130X1/4	28	2,00