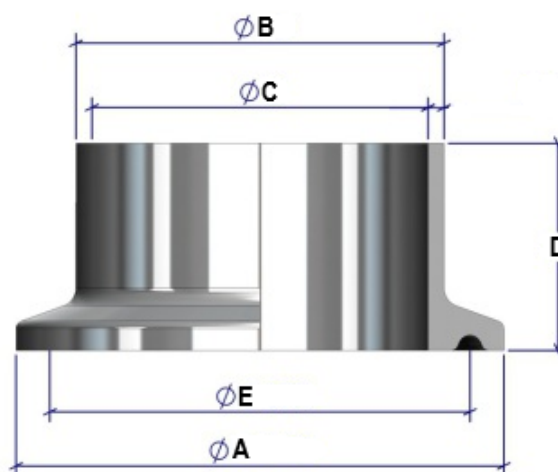


STN



CASQUILLO CLAMP DIN AISI-316L / AISI-316L DIN FERRULE CLAMP



STN



Dimensiones en (mm.) / *Dimensions in (mm.)*

DN	ØA	ØB	ØC	D	ØE
1/2"	34,0	18,0	15,0	21,5	27,5
3/4"	34,0	22,0	19,0	21,5	27,5
1"	50,4	28,0	25,0	21,5	43,5
1 1/4"	50,4	34,0	31,0	21,5	43,5
1 1/2"	50,4	40,0	37,0	21,5	43,5
2"	64,0	52,0	49,0	21,5	56,5
2 1/2"	90,9	70,0	66,0	21,5	83,5
3"	106,0	85,0	81,0	21,5	97,0
4"	118,8	104,0	100,0	21,5	110,0